

Parts List

Ref	Var	IPN	Description
C1		014-18100-05	Cap Tant SMD 10u 10v 10% A
C2		018-13470-00	Cap 0603 470p 50v X7r+-10%
C3		018-15100-00	Cap 0603 10n 50v X7r +-10%
C4		018-15100-00	Cap 0603 10n 50v X7r +-10%
C5		018-16100-00	Cap 0603 100n 16vx7r+-10%
C6		018-16100-00	Cap 0603 100n 16vx7r+-10%
C7		018-13470-00	Cap 0603 470p 50v X7r+-10%
C8		018-16100-00	Cap 0603 100n 16vx7r+-10%
C9		018-16100-00	Cap 0603 100n 16vx7r+-10%
C10		018-16100-00	Cap 0603 100n 16vx7r+-10%
C11		018-16100-00	Cap 0603 100n 16vx7r+-10%
C12		018-16100-00	Cap 0603 100n 16vx7r+-10%
C13		018-16100-00	Cap 0603 100n 16vx7r+-10%
C15		018-16100-00	Cap 0603 100n 16vx7r+-10%
C60		018-12470-10	Cap 0603 47p 50v NPO+-0.1
D1		008-10004-00	LED SMD 0603 Green Ultrabright
D2		008-10004-00	LED SMD 0603 Green Ultrabright
D3		008-10004-00	LED SMD 0603 Green Ultrabright
D4		008-10004-00	LED SMD 0603 Green Ultrabright
D5		008-10004-00	LED SMD 0603 Green Ultrabright
D6		008-10004-00	LED SMD 0603 Green Ultrabright
D7		008-10004-00	LED SMD 0603 Green Ultrabright
D8		008-10004-00	LED SMD 0603 Green Ultrabright
D9		008-10004-00	LED SMD 0603 Green Ultrabright
D10		008-10004-00	LED SMD 0603 Green Ultrabright
D11		008-10004-00	LED SMD 0603 Green Ultrabright
D12		008-10004-00	LED SMD 0603 Green Ultrabright
D13		008-10004-00	LED SMD 0603 Green Ultrabright
D14		008-10004-00	LED SMD 0603 Green Ultrabright
D15		008-10004-00	LED SMD 0603 Green Ultrabright
D16		008-10002-00	LED SMD 0603 Red U/B C190KRKT
D17		008-10004-00	LED SMD 0603 Green Ultrabright
D18		008-10001-00	LED SMD 0603 Ornge Ultrabright
D20		001-10099-01	Diode BAV99w Dual Ss
D21		001-10099-01	Diode BAV99w Dual Ss
IC2		002-10160-80	IC SMD HT1608L LCD DRV 64P QFP
IC3		002-13745-95	IC 74LV595 8BIT SHIFTRREG TSSOP
IC4		002-13741-65	IC SMD 74LV165 S/Reg Tssop16
IC5		002-13740-76	IC SMD 74LV74 2XD F/F TSSOP14
IC7		002-13740-15	IC 74LV14 SCH 6X INV TSSOP14
L1		057-10010-20	Ind 0603 Blm11-B102s 0.1a
P1		240-04048-00	Skt 8way Vert Rj45
PCB		220-01699-03	Pcb TM8100 Ctrl Hd TMA
Q1		000-10084-72	Xstr BC847BS NPN Dual SOT363
Q2		000-10084-72	Xstr BC847BS NPN Dual SOT363
Q3		000-10084-72	Xstr BC847BS NPN Dual SOT363
Q4		000-10084-72	Xstr BC847BS NPN Dual SOT363
R1		038-15330-10	Res 0603 33k 1%
R2		038-14470-00	Res 0603 4k7 1/16w +-5%
R3		038-14470-00	Res 0603 4k7 1/16w +-5%
R4		038-14470-00	Res 0603 4k7 1/16w +-5%
R5		038-14470-00	Res 0603 4k7 1/16w +-5%
R6		038-14470-00	Res 0603 4k7 1/16w +-5%
R7		038-14470-00	Res 0603 4k7 1/16w +-5%
R8		038-15330-10	Res 0603 33k 1%
R9		038-14330-00	Res 0603 3k3 1/16w +-5%
R10		038-15330-10	Res 0603 33k 1%
R11		036-10000-00	Res M/F SMD 0805 0e 0.125w
R12		038-13270-00	Res 0603 270e 1/16w +-5%
R13		038-15100-10	Res 0603 10k 1/16w +-1%
R14		038-13270-00	Res 0603 270e 1/16w +-5%
R15		038-13270-00	Res 0603 270e 1/16w +-5%
R16		038-13270-00	Res 0603 270e 1/16w +-5%
R17		038-15330-10	Res 0603 33k 1%
R18		038-15100-10	Res 0603 10k 1/16w +-1%
R19		038-13270-00	Res 0603 270e 1/16w +-5%
R20		038-13270-00	Res 0603 270e 1/16w +-5%
R21		038-15330-10	Res 0603 33k 1%
R22		038-15100-10	Res 0603 10k 1/16w +-1%
R23		038-16100-10	Res 0603 100k 1/16w +-1%
R24		038-13680-00	Res 0603 680e 1/16w +-5%
R25		038-13270-00	Res 0603 270e 1/16w +-5%
R26		038-13680-00	Res 0603 680e 1/16w +-5%
R27		038-16100-10	Res 0603 100k 1/16w +-1%
R28		038-15330-10	Res 0603 33k 1%
R29		038-13680-00	Res 0603 680e 1/16w +-5%
R30		038-15100-10	Res 0603 10k 1/16w +-1%

Grid Reference Index

Ref	PCB	Circuit	Ref	PCB	Circuit
AGND	2:J0	1G6	R22	2:I1	1C9
C1	2:D2	1D2	R23	2:D1	1H9
C2	2:B0	1J2	R24	2:F0	1B9
C3	2:B1	1J2	R25	2:H1	1C9
C4	2:B1	1J3	R26	2:G1	1B9
C5	2:F0	1D3	R27	2:E0	1E9
C6	2:B1	1H3	R28	2:I3	1C10
C7	2:B1	1J4	R29	2:C4	1B10
C8	2:H2	1E5	R30	2:I3	1C10
C9	2:D0	1J8	R31	2:J3	1C10
C10	2:D0	1G8	R32	2:D1	1B10
C11	2:G0	1J9	R33	2:E1	1B11
C12	2:E0	1E9	R34	2:I3	1C11
C13	2:G4	1G11	R35	2:I3	1C11
C15	2:E3	1K12	R36	2:I0	1B11
C50	2:B3	1F2	R37	2:I3	1C11
C60	2:F1	1C2	R38	2:J1	1B12
D1	1:F3	1B6	R39	2:F4	1E13
D2	1:G3	1B7	R40	2:J3	1C12
D3	1:F3	1B7	R41	2:J3	1C12
D4	1:G3	1B8	R42	2:F4	1E13
D5	1:F1	1B9	R43	2:J4	1D12
D6	1:G1	1B9	R44	2:J4	1C12
D7	1:C3	1B10	R45	2:F4	1E13
D8	1:D1	1B10	R46	2:J3	1C13
D9	1:E1	1B11	R47	2:J3	1C13
D10	1:I1	1B11	R48	2:J3	1C13
D11	1:J1	1B12	R49	2:J3	1D14
D12	1:D2	1C7	R50	2:D3	1F2
D13	1:E1	1C8	R51	2:D3	1F2
D14	1:I1	1C9	R52	2:C3	1G2
D15	1:J2	1C10	R53	2:C4	1F2
D16	1:I3	1C11	R60	2:F1	1C2
D17	1:J3	1C12	RV1	1:B3	1D3
D18	1:K3	1C14	SK1	2:C2	1F1 1E1 1H1
D20	2:B0	1H2			1C1 1D1 1G1
D21	2:B1	1H4	SK2	2:J2	1E2
D22	2:E0	1E9	SW1	1:D1	1B5
D23	2:D1	1H9 1H8	SW10	1:C3	1F2
IC2	2:F2	1G12	SW2	1:E1	1B5
IC3	2:I2	1D5	SW3	1:G1	1B4
IC4	2:F0	1C2	SW4	1:G0	1B4
IC5	2:G0	1F10 1H10 1J8	SW5	1:H1	1B4
IC7	2:D0	1J7 1E10 1J10	SW6	1:J1	1B3
		1K6 1G9			
L1	2:B0	1E2			
LCD1	1:G3	1J13			
MIC+	2:J0	1G6			
P1	1:B1	1J3 1J2 1J4 1J1			
P2	2:B2	1E6 1F6 1G6			
P3	2:B1	1H6 1G6			
Q1	2:I1	1A6 1C9			
Q2	2:I3	1C11 1C10			
Q3	2:J3	1C14 1C12			
Q4	2:E3	1C6 1C8			
R1	2:C3	1E3			
R2	2:J1	1C3			
R3	2:H0	1C4			
R4	2:G1	1C4			
R5	2:G1	1C4			
R6	2:E1	1C5			
R7	2:E1	1C5			
R8	2:H1	1A6			
R9	2:H1	1A6			
R10	2:D3	1C6			
R11	2:B1	1H6			
R12	2:E2	1B6			
R13	2:E3	1C6			
R14	2:D3	1C7			
R15	2:E2	1B7			
R16	2:E4	1B7			
R17	2:D2	1C7			
R18	2:D3	1C7			
R19	2:E4	1B8			
R20	2:E2	1C8			
R21	2:I2	1C8			

TM8000 mobiles

TM8115 Control-Head Board PCB Information Package



PCB IPN 220-01699-03

This PCB information package applies to the TM8115 control-head board.

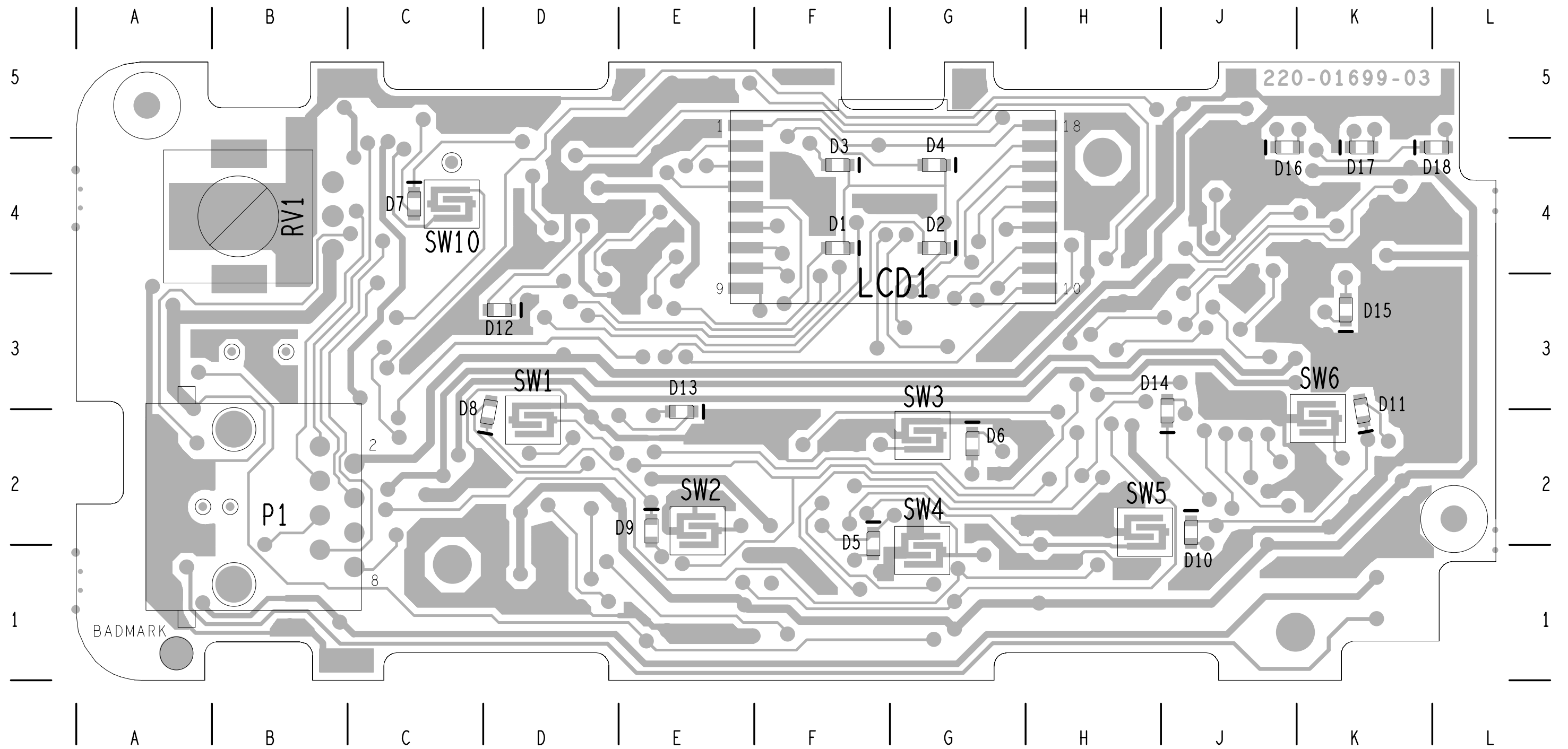
This PCB information package contains the following information:

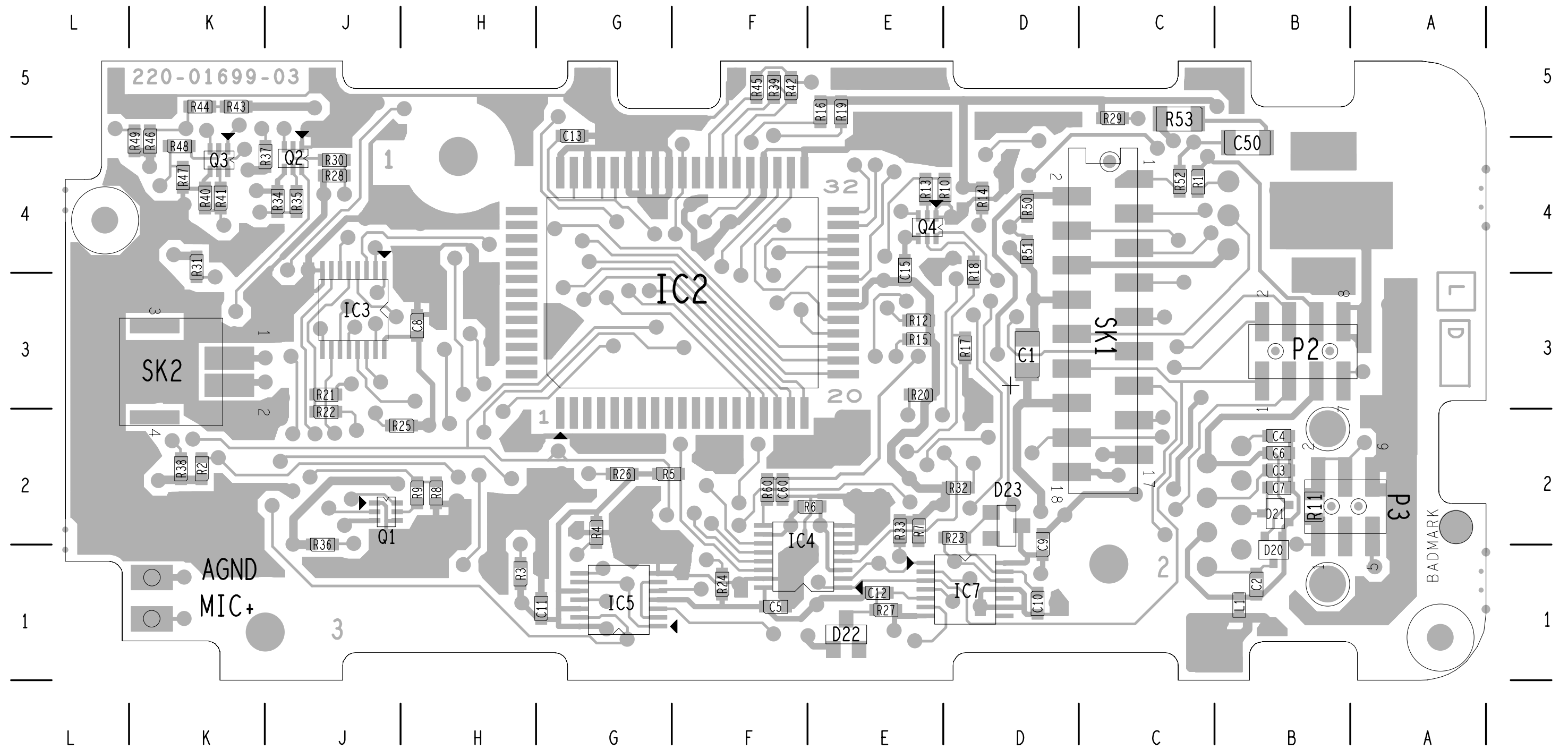
- Parts List (Rev. 4) Page 1
- Grid Reference Index..... Page 1
- PCB Layout – Top Side..... Page 2
- PCB Layout – Bottom Side..... Page 3
- Circuit Diagram..... Page 4

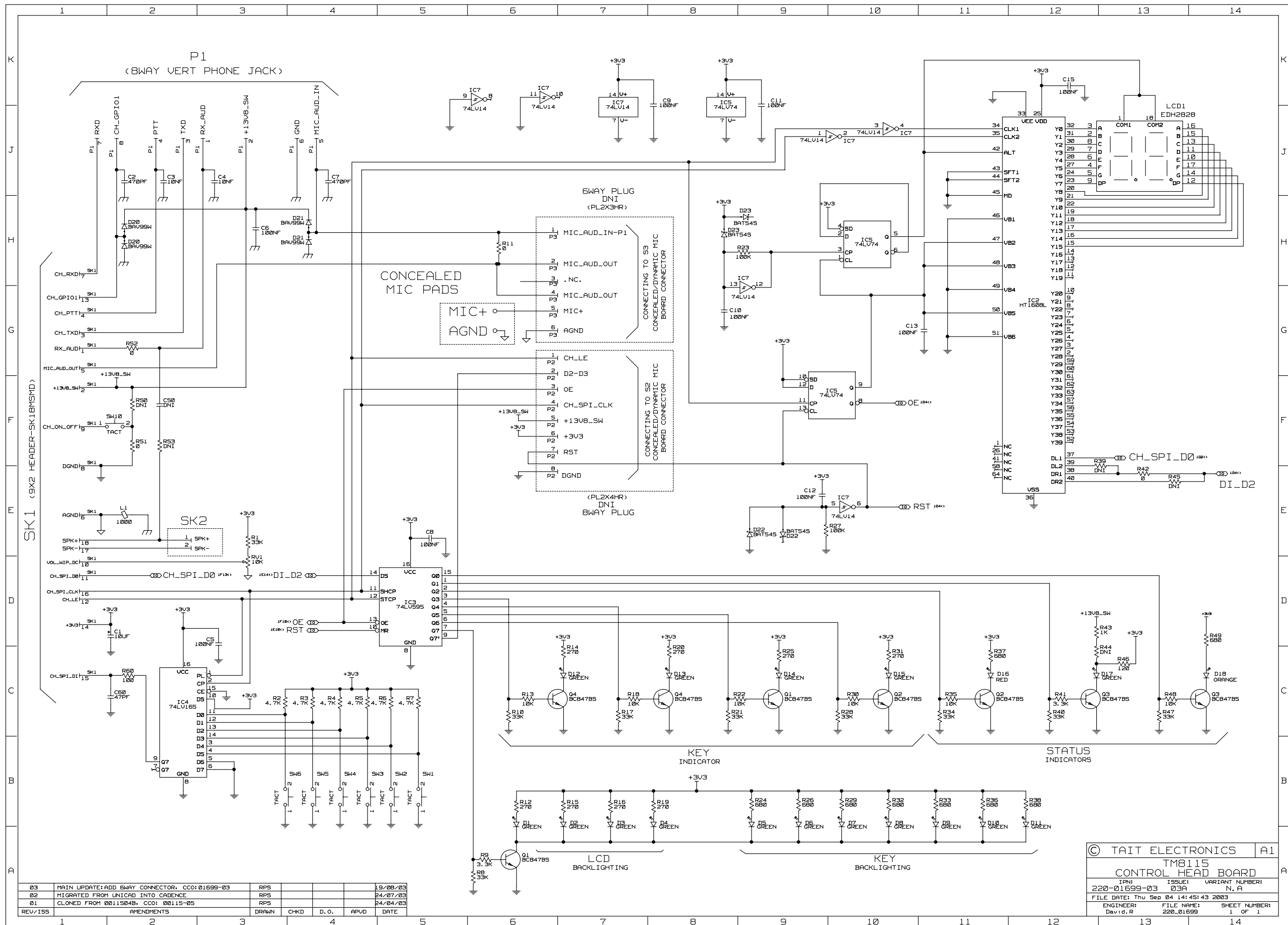
The component values in the circuit diagrams are indicative only. Refer to the parts list for actual values used.

This document can be printed on A3 as single-sided, double-sided, unfolded or z-folded.









REV/ISS	AMENDMENTS	DRAWN	CHKD	D.O.	APVD	DATE
03	MAIN UPDATE: ADD 6WAY CONNECTOR, CCO: 01699-03	RPS				19/08/03
02	MIGRATED FROM UNICAD INTO CADENCE	RPS				24/07/03
01	CLONED FROM 0011504B, CCO: 00115-05	RPS				24/04/03

© TAIT ELECTRONICS		A1
TM8115 CONTROL HEAD BOARD		
IPN: 220-01699-03	ISSUE: 03A	VARIANT NUMBER: N.A
FILE DATE: Thu Sep 04 14:45:43 2003	ENGINEER: David.R	FILE NAME: 220_01699
		SHEET NUMBER: 1 OF 1